



欧锐杰照明
OURUIJIE LIGHTING

园丁

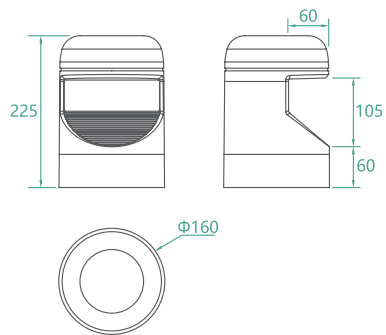
Gardener

应用场景: 草坪、路边、屋檐、异形图案
Application scenarios: lawn, roadside, eaves, patterns

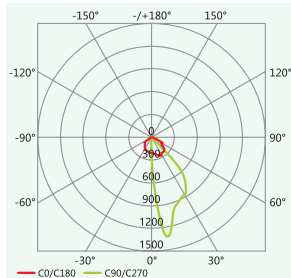


健康绿道
GREENWAY

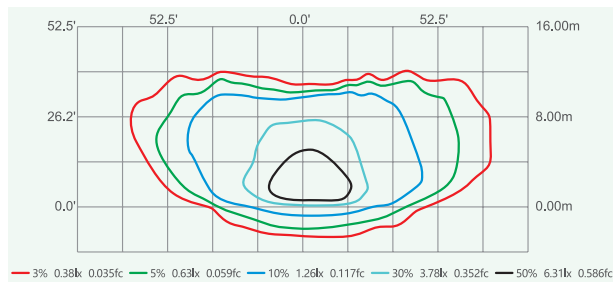
IP67 IK08 CE



L09A-006BP3.3L 20W 35°×120°



h(m)	Eavg(lx)	Emax(lx)	D(m)
1	410	1126	0.61
2	114	318	1.31
3	50	79	1.96
4	28	79	2.62
5	11	50	3.27



L09A-006BP3.3L

	Rated Power	Input Voltage	LED Quantity	Optical Angle	Luminous Flux	Net Weight	Lamp Size	Packing Size/Gross Weight
3000/4000/5000K ● ● ●	20 W	DC24V/AC220V	6 pcs	7°15°/25°/40°/ 60°/35°×120°	1860 lm	2.4 kg	225×225×160mm	2.6kg/250×180×180mm(1pcs/box)

L09A-003BP3.3L

	Rated Power	Input Voltage	LED Quantity	Optical Angle	Luminous Flux	Net Weight	Lamp Size	Packing Size/Gross Weight
RGBW ●	20 W	DC24V/AC220V	3 pcs	15°/25°/40°/60°	720 lm	2.4 kg	225×225×160mm	2.6kg/250×180×180mm(1pcs/box)



微信 WeChat

浙江欧锐杰照明科技有限公司
ZHEJIANG OURUIJIELIGHTING TECHNOLOGY CO., LTD.

ADD: 浙江省湖州市紫荆路363号
No.363 Zijing Road, Huzhou, Zhejiang, China
TEL: +86-572-2671188 FAX: +86-572-2671800 E-mail: orj@orjlight.com



Web